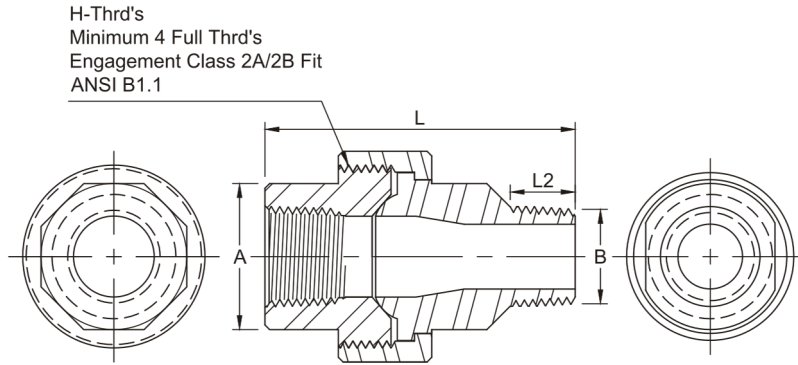


UNION MALE X FEMALE, M/F
DIMENSIONS: MSS SP 83, THREADED END
3000#

SPECIAL PRODUCT



Dimensions are in millimeters.

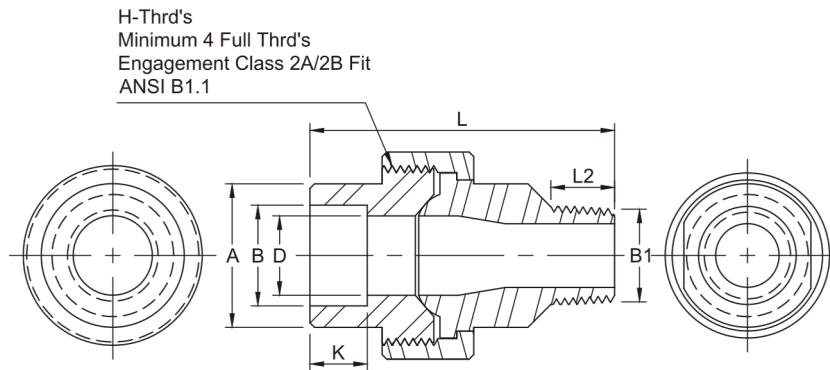
Nom. Pipe Size	A ⁽¹⁾ (Min)	B	L2	L
----------------	---------------------------	---	----	---

3000Lb

1/4	19.0	13.7	15.1	55.4
3/8	22.9	17.1	15.3	60.0
1/2	27.7	21.3	19.9	68.0
3/4	33.5	26.7	20.2	75.9
1	41.4	33.4	25.0	86.0
1-1/4	50.5	42.2	25.6	95.1
1-1/2	57.2	48.3	26.0	100.5
2	70.1	60.3	26.9	112.1

- (1) Dimensions refer to MSS SP-83 TABLE 5.
- (2) Thread(L2) in accordance with ANSI/ASME B 1.20.1.
- (3) Dimensions may vary in according to the customer and manufacturer requirements.

UNION MALE X FEMALE, M/F
DIMENSIONS: MSS SP 83, SOCKET WELD X
THREADED END, 3000#



Dimensions are in millimeters.

Nom. Pipe Size	A ⁽¹⁾ (Min)	B1	B	D	K	L2	L
----------------	------------------------	----	---	---	---	----	---

3000Lb

1/4	21.8	13.7	14.3	9.3	10.5	15.1	55.4
3/8	25.9	17.1	17.7	12.6	10.5	15.3	60.0
1/2	31.2	21.3	21.9	15.8	12.5	19.9	68.0
3/4	37.1	26.7	27.3	21.0	14.0	20.2	75.9
1	45.5	33.4	34.0	26.7	15.0	25.0	86.0
1-1/4	54.9	42.2	42.8	35.1	17.0	25.6	95.1
1-1/2	61.5	48.3	48.9	40.9	17.5	26.0	100.5
2	75.2	60.3	61.3	52.5	22.0	26.9	112.1

- (1) Dimensions refer to MSS SP-83 TABLE 5.
- (2) Thread (L2)/Socket weld in accordance with ANSI/ASME B 16.11 and ANSI/ASME B 1.20.1.
- (3) Dimensions may vary in according to the customer and manufacturer requirements.