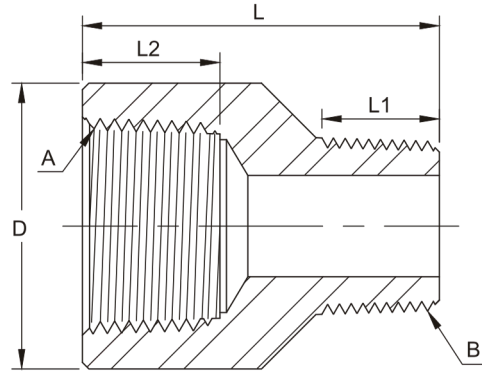


THREADED ADAPTOR

DIMENSIONS: MALE X FEMALE THREADED

3000#



Dimensions are in millimeters.

DN	Nom. Pipe Size (A)	D	L	L2	L1	Threaded Size (B)
----	--------------------	---	---	----	----	-------------------

3000Lb

8	1/4	19	33	11.4	14	1/8
10	3/8	22	35	12.4	14	1/4
15	1/2	28	42	14.9	19	3/8
20	3/4	35	47	16.8	19	1/2
25	1	44	55	19.6	24	3/4
32	1-1/4	57	63	21.9	24	1
40	1-1/2	64	66	22.7	24	1-1/4
50	2	76	76	23.9	26	1-1/2
65	2-1/2	92	90	30.5	38	2
80	3	108	110	32.8	40	2-1/2
100	4	140	120	34.6	40	3

(1) Dimension L1 and L2 is According to ANSI / ASME B 1.20.1.

(2) Dimensions may vary in according to the customer and manufacturer requirements.