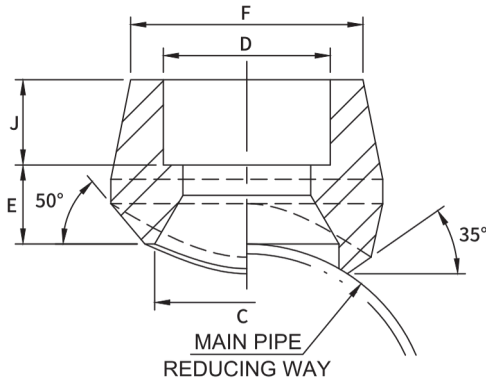
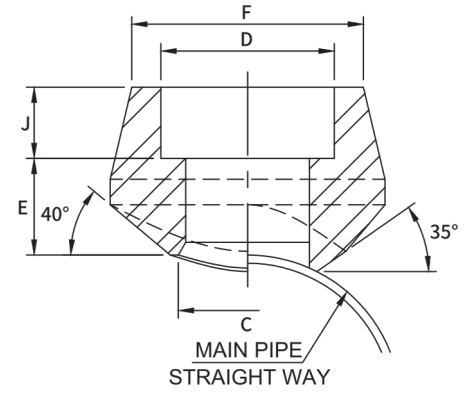


# SOCKOLET 90\* BRANCH OULET

MSS SP-97-2019 3000#, 6000#, 9000#



Dimensions are in millimeters.



Dimensions are in millimeters.

### Reducing way

OutLet Pipe (in)	C	D	F	J	E
------------------	---	---	---	---	---

### Straight way

OutLet Pipe (in)	C	D	F	J	E
------------------	---	---	---	---	---

### 3000Lb

1/8	13.7	10.8	22.0	10.5	8.5
1/4	13.7	14.2	22.0	10.5	8.5
3/8	19.1	17.6	25.9	10.5	10.5
1/2	21.3	21.8	31.4	12.5	12.5
3/4	26.7	27.2	37.1	14.0	13.0
1	33.4	33.9	45.5	15.0	18.0
1-1/4	42.2	42.7	57.0	17.0	16.0
1-1/2	48.3	48.8	64.0	17.5	17.5
2	60.3	61.2	76.0	22.0	16.0
2-1/2	73.2	73.9	92.0	22.0	24.0
3	88.9	89.8	109.2	22.0	29.0
4	114.3	115.2	140.0	28.0	29.0

### 3000Lb

1/4	11.5	14.2	22.0	10.5	8.5
3/8	14.5	17.6	25.9	10.5	10.5
1/2	16.5	21.8	31.4	12.5	12.5
3/4	21.5	27.2	37.1	14.0	13.0
1	27.2	33.9	45.5	15.0	18.0
1-1/4	36.0	42.7	57.0	17.0	16.0
1-1/2	42.0	48.8	64.0	17.5	17.5
2	53.0	61.2	76.0	22.0	16.0
2-1/2	65.0	73.9	92.0	22.0	24.0
3	80.0	89.8	109.2	22.0	29.0
4	104.0	115.2	140.0	28.0	29.0

(1) Socket Dimension in Accordance with ASME B16.11.

Dimensions are in millimeters.

### 6000Lb

1/8	7.2	10.8	22.0	10.5	18.5
1/4	10.2	14.2	25.0	10.5	18.5
3/8	13.5	17.6	32.0	10.5	18.5
1/2	16.6	21.8	38.0	12.5	19.5
3/4	21.2	27.2	44.0	14.0	23.0
1	27.0	33.9	57.0	15.0	25.0
1-1/4	35.8	42.7	64.0	17.0	24.0
1-1/2	41.2	48.8	76.0	17.5	25.5
2	51.6	61.2	92.0	22.0	30.0

### Reducing way

OutLet Pipe (in)	C	D	F	J	E
------------------	---	---	---	---	---

### 9000Lb

1/2	16.6	21.8	42.0	12.5	19.5
3/4	21.2	27.2	48.0	14.0	23.0
1	27.0	33.9	57.2	15.0	25.0
1-1/4	35.8	42.7	68.0	17.0	24.0
1-1/2	41.2	48.8	76.2	17.5	25.5
2	51.6	61.2	92.1	22.0	30.0

(1) Socket Dimension in Accordance with ASME B16.11.

(2) 3000LB Outlet size 4 and less fit a number of run pipe sizes and the fitting are marked accordingly.

See page 36 for conventional run size combination.