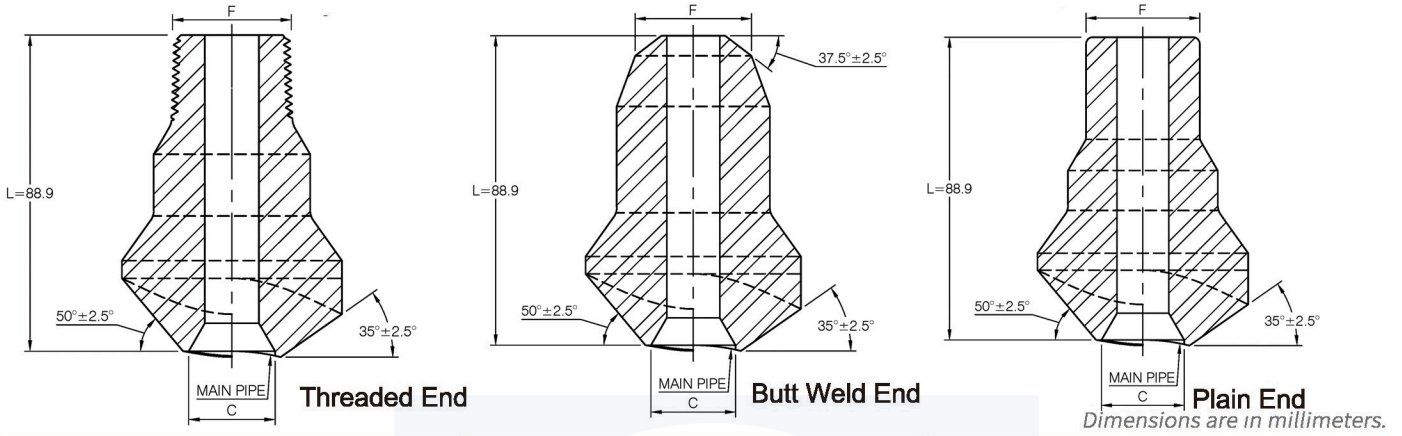


NIPOLET – NIPPLE BRANCH OLET
DIMENSIONS: MSS SP 97, THREADED END,
BUTTWELD END, PLAIN END, 3000# 6000#



Outlet Pipe(in)	C	F
-----------------	---	---

3000Lb

1/2	23.8	21.3
3/4	30.2	26.7
1	36.5	33.4
1-1/4	44.5	42.2
1-1/2	50.8	48.3
2	65.1	60.3

6000Lb

1/2	13.8	21.3
3/4	18.9	26.7
1	24.3	33.4
1-1/4	32.5	42.2
1-1/2	38.1	48.3
2	49.2	60.3

- (1) The end of the fitting can be :
 - Plain
 - Weld bevel in accordance with ASME B16.25
 - Thread in accordance with ASME B1.20.1
- (2) Range :
 - Thread : Class 3000 / 6000 Lb.
 - Plain and weld : Sch40/STD ; Sch80/XS ; Sch160/XXS.
- (3) Dimensions may vary in according to the customer and manufacturer requirements.