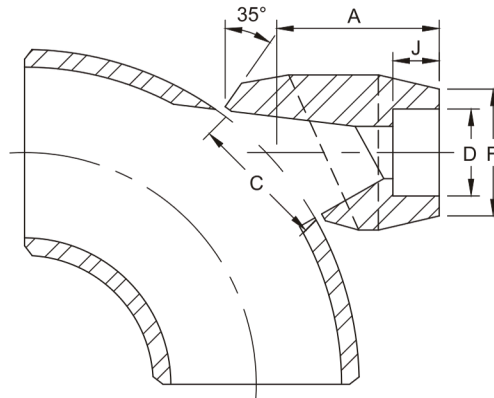


**ELBOWLET SOCKET WELD END 90
DEGREE BRANCH OUTLET**
DIMENSIONS: 3000#, 6000#



Dimensions are in millimeters.

90°ELBOW OUTLET						
Outlet Pipe		A	C	F	D	J
DN	IN					

3000Lb

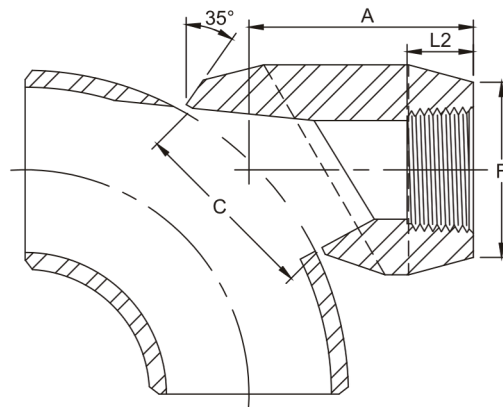
8	1/4	40.5	35.2	22.0	14.35	10.0
10	3/8	40.5	35.2	25.9	17.80	10.0
15	1/2	40.5	35.2	31.4	21.95	11.1
20	3/4	47.6	43.6	37.1	27.30	12.7
25	1	55.6	54.0	45.5	34.05	13.5
32	1-1/4	60.3	67.5	57.0	42.80	15.1
40	1-1/2	66.7	76.2	64.0	48.90	15.9
50	2	81.0	104.8	76.0	61.35	17.5
65	2-1/2	82.6	106.4	92.0	74.15	23.8
80	3	96.8	125.4	109.2	90.10	28.6
100	4	114.3	163.5	140.0	115.75	29.4

6000Lb

8	1/4	40.5	34.9	26.0	14.35	10.0
10	3/8	40.5	34.9	33.0	17.80	10.0
15	1/2	47.6	34.9	38.0	21.95	10.0
20	3/4	55.6	43.6	44.0	27.30	14.3
25	1	60.3	54.0	57.0	34.05	15.9
32	1-1/4	66.7	67.5	64.0	42.80	20.6
40	1-1/2	85.7	76.2	76.0	48.90	20.6

- (1) Socket weld in accordance with ASME B16.11
(2) Dimensions may vary in according to the customer and manufacturer requirements.

**ELBOWLET THREADED END 90
DEGREE BRANCH OUTLET**
DIMENSIONS: 3000#, 6000#



Dimensions are in millimeters.

90°ELBOW OUTLET					
Outlet Pipe		A	C	L2	F
DN	IN				

3000Lb

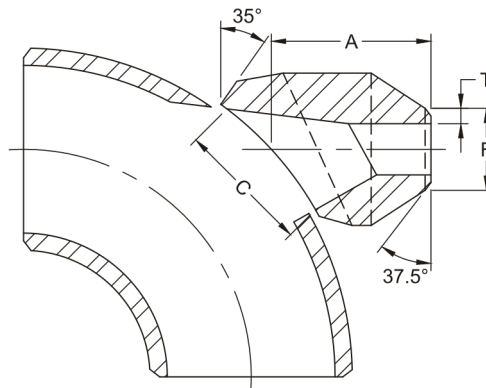
8	1/4	40.5	35.2	11.4	22.0
10	3/8	40.5	35.2	12.4	25.9
15	1/2	40.5	35.2	14.9	31.4
20	3/4	47.6	43.6	16.8	37.1
25	1	55.6	54.0	19.6	45.5
32	1-1/4	60.3	67.5	21.9	57.0
40	1-1/2	66.7	76.2	22.7	64.0
50	2	81.0	104.8	23.9	76.0
65	2-1/2	82.6	106.4	30.5	92.0
80	3	96.8	125.4	32.8	109.2
100	4	114.3	163.5	34.6	140.0

6000Lb

8	1/4	40.5	35.2	11.4	26.0
10	3/8	40.5	35.2	12.4	33.0
15	1/2	47.6	35.2	14.9	38.0
20	3/4	55.6	43.6	16.8	44.0
25	1	60.3	54.0	19.6	57.0
32	1-1/4	66.7	67.5	21.9	64.0
40	1-1/2	85.7	76.2	22.7	76.0

(1) Dimension L2 is According to ASME B1.20.1.
(2) Dimensions may vary in according to the customer and manufacturer requirements.

**ELBOWLET BUTTWELD END 90
DEGREE BRANCH OUTLET**
DIMENSIONS: SCH-80, SCH-160



Dimensions are in millimeters.

90°ELBOW OUTLET					
Outlet Pipe		A	C	F	T
DN	IN				

Sch 80

8	1/4	40.5	35.2	13.7	3.0
10	3/8	40.5	35.2	17.1	3.2
15	1/2	40.5	35.2	21.3	3.7
20	3/4	47.6	43.6	26.7	3.9
25	1	55.6	54.0	33.4	4.5
32	1-1/4	60.3	67.5	42.2	4.9
40	1-1/2	66.7	76.2	48.3	5.1
50	2	81.0	104.8	60.3	5.5
65	2-1/2	82.6	106.4	73.0	7.0
80	3	96.8	125.4	88.9	7.6
100	4	114.3	163.5	114.3	8.6

Sch 160

8	1/4	40.5	35.2	13.7	3.7
10	3/8	40.5	35.2	17.1	4.0
15	1/2	47.6	35.2	21.3	4.7
20	3/4	55.6	43.6	26.7	5.5
25	1	60.3	54.0	33.4	6.4
32	1-1/4	66.7	67.5	42.2	6.4
40	1-1/2	85.7	76.2	48.3	7.1

(1) Weld level in accordance with ASME B16.25.

(2) Dimensions may vary in according to the customer and manufacturer requirements.