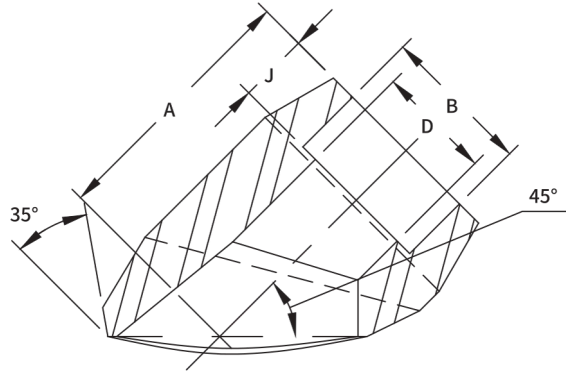


ELBOWLET SOCKET WELD 45 DEGREE BRANCH OUTLET

DIMENSIONS: MSS SP-97-2019, 3000#, 6000#



Dimensions are in millimeters.

45° Branch Outlet					
Outlet Pipe		A	B ⁽³⁾	D ⁽³⁾	J
DN	IN				

3000Lb

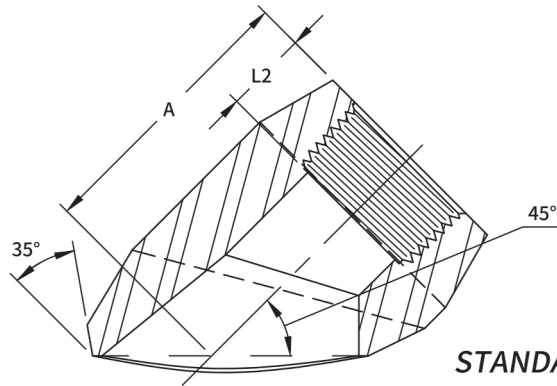
8	1/4	40.5	14.2	9.3	10.0
10	3/8	40.5	17.6	12.6	10.0
15	1/2	40.5	21.8	15.8	11.1
20	3/4	47.6	27.2	21.0	12.7
25	1	55.6	33.9	26.7	13.5
32	1-1/4	62.7	42.7	35.1	15.1
40	1-1/2	66.7	48.8	40.9	15.9
50	2	81.0	61.2	52.5	17.5

6000Lb

8	1/4	40.5	14.2	6.4	10.0
10	3/8	40.5	17.6	9.2	10.0
15	1/2	47.6	21.8	11.8	10.0
20	3/4	55.6	27.2	15.6	14.3
25	1	62.7	33.9	20.7	15.9
32	1-1/4	66.7	42.7	29.5	20.6
40	1-1/2	84.1	48.8	34.0	20.6
50	2	93.7	61.2	42.9	22.0

(1) Socket weld in accordance with ASME B16.11
 (2) Dimensions may vary in according to ghe customer and manufacturer requirements.
 (3) Tolerance see page 11

**ELBOWLET THREADED END 45
DEGREE BRANCH OUTLET**
DIMENSIONS: MSS SP-97-2019, SCH-XS

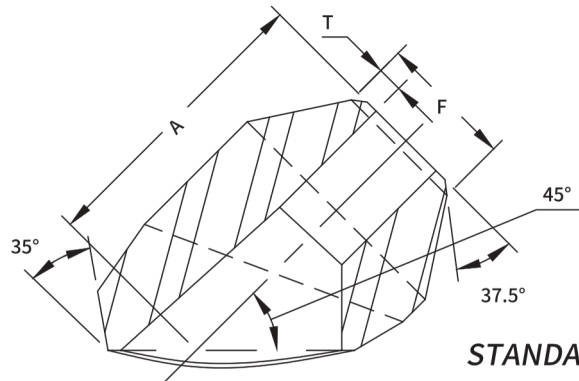


STANDARD WEIGHT & EXTRA STRONG
Dimensions are in millimeters.

45°Branch Outlet				
Outlet Pipe		A		L2
DN	IN	3000Lb	6000Lb	
8	1/4	40.5	40.5	11.4
10	3/8	40.5	40.5	12.4
15	1/2	40.5	47.6	14.9
20	3/4	47.6	55.6	16.8
25	1	55.6	62.7	19.6
32	1-1/4	62.7	66.7	21.9
40	1-1/2	66.7	84.1	22.7
50	2	81.0	93.7	23.9

(1) Dimension L2 is According to ASME B1.20.1.

**ELBOWLET BUTTWELD END 45
DEGREE BRANCH OUTLET**
DIMENSIONS: MSS SP-97-2019, SCH-XS



STANDARD WEIGHT & EXTRA STRONG
Dimensions are in millimeters.

45°Branch Outlet					
Outlet Pipe		A	T		F
DN	IN		Sch 40/STD	Sch 80/XS	
8	1/4	40.5	2.24	3.02	13.7
10	3/8	40.5	2.31	3.20	17.1
15	1/2	40.5	2.77	3.73	21.3
20	3/4	47.6	2.87	3.91	26.7
25	1	55.6	3.38	4.55	33.4
32	1-1/4	62.7	3.56	4.85	42.2
40	1-1/2	66.7	3.68	5.08	48.3
50	2	81.0	3.91	5.54	60.3

(1) Weld bevel in accordance with ASME B16.25
 (2) Dimensions may vary in according to the customer and manufacturer requirements.
 (3) Wall thickness (T) in accordance with ASME B36.10M , ASME B36.19M , see page 50