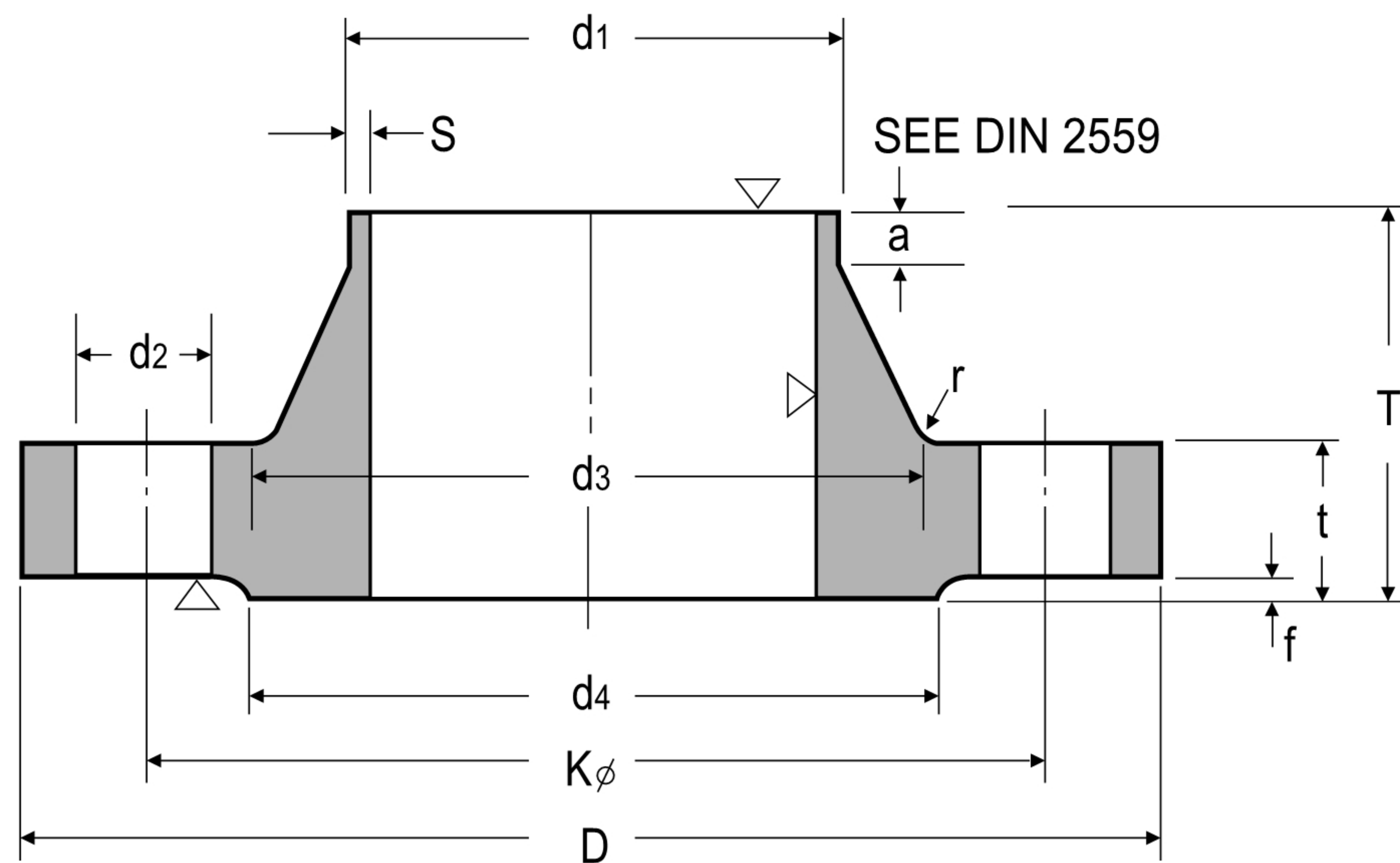


6 BAR

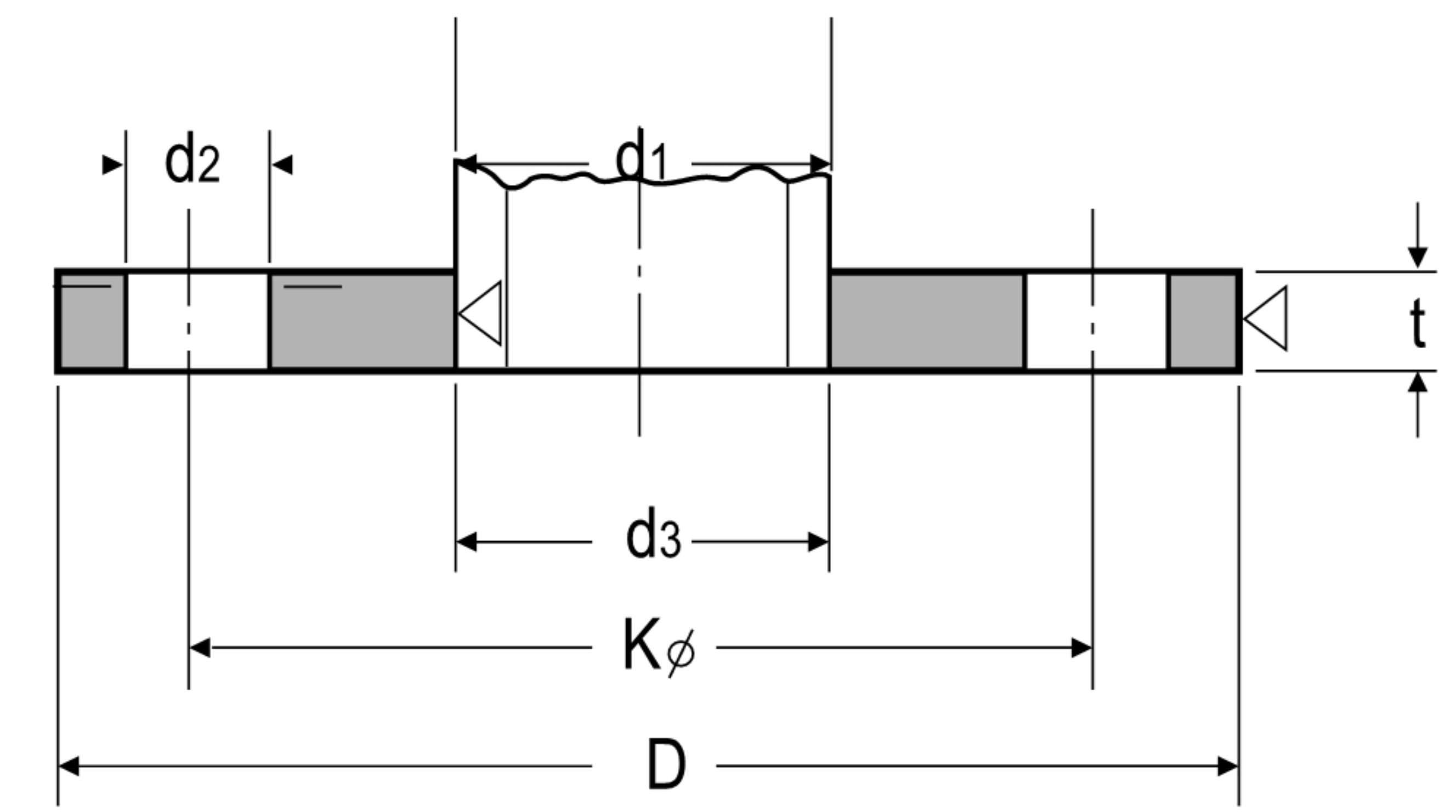
DIN 2573 SLIP - ON FLANGES

DIN 2527 BLIND FLANGES

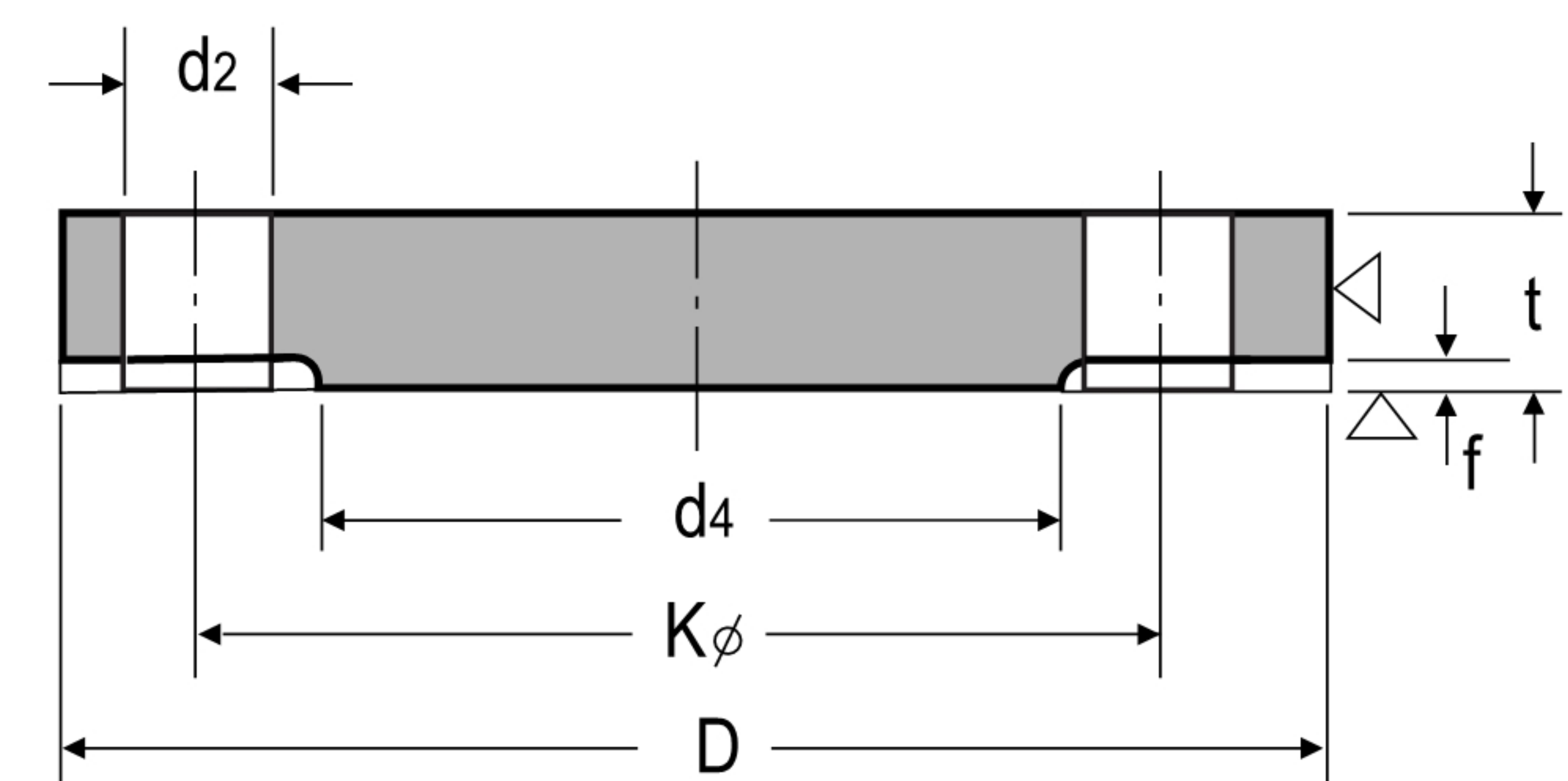
DIN 2631 WELDING NECK FLANGES



WELDING NECK



SLIP-ON



BLIND

Unit:mm

Nominal Bore	Bore		Common Dimension				Hub					Raised Face	Drilling			Approx.Weight(kg)			
	d1	D	t			K	T	d3	s	r	a ≈	d4	f	Number of Bolt	Dia. of Bolt	d2	DIN 2631	DIN 2573	
			Welding Neck	Slip-on	Blind														
10	14 17.2-)	75	12	12	12	50	28	22 26	1.8	4	6	35	2	4	M10	-	11.5	0.036	0.325
15	20 21.3-)	80	12	12	12	55	30	28 30	2.0	4	6	40	2	4	M10	-	11.5	0.410	0.392
20	25 26.9-)	90	14	14	14	65	32	35 38	2.3	4	6	50	2	4	M10	-	11.5	0.600	0.592
25	30 33.7-)	100	14	14	14	75	35	40 42	2.6	4	6	60	2	4	M10	-(1/2")	11.5	0.740	0.747
32	38 42.4-)	120	14	16	14	90	35	50 55	2.6	6	6	70	2	4	M12	(1/2")	14	1.19	1.05
40	44.5 48.3-)	130	14	16	14	100	38	58 62	2.6	6	7	80	3	4	M12	(1/2")	14	1.39	1.18
50	57 60.3-)	140	14	16	14	110	38	70 74	2.9	6	8	90	3	4	M12	(1/2")	14	1.53	1.34
65	76.1-)	160	14	16	14	130	38	88	2.9	6	9	110	3	4	M12	(5/8")	14	1.89	1.67
80	88.9-)	190	16	18	16	150	42	102	3.2	8	10	128	3	4	M16	(5/8")	18	2.98	2.71
100	108 114.3-)	210	16	18	16	170	45	122 130	3.6	8	10	148	3	4	M16	(5/8")	18	3.46	3.24
125	133 139.7-)	240	18	20	18	200	48	148 155	4.0	8	10	178	3	8	M16	(5/8")	18	4.60	4.49
150	159 168.3-)	265	18	20	18	225	48	172 184	4.5	10	12	202	3	8	M16	(5/8")	18	5.22	5.15
200	216 219.1-)	320	20	22	20	280	55	230 236	5.9	10	15	258	3	8	M16	(5/8")	18	7.15	7.78
250	267 273-)	375	22	24	22	335	60	282 290	6.2	12	15	312	3	12	M16	(3/4")	18	9.61	10.8
300	318	440	22	24	22	395	62	335 342	7.1	12	15	365	4	12	M20	(3/4")	23	12.6	14.0
350	355.6-)	490	22	26	22	445	62	385	7.1	12	15	415	4	12	M20	(3/4")	23	15.6	16.1
400	406.4-)	540	22	28	22	495	65	438	7.1	12	15	455	4	16	M20	(3/4")	23	18.4	18.3
500	508-)	645	24	30	24	600	68	538	7.1	12	15	570	4	20	M20	(7/8")	23	24.5	24.6
600	609.6-)	755	24	-	-	705	70	640	7.1	12	16	670	5	20	M24	(7/8")	27	-	-
700	711.2-)	860	24	-	-	810	70	740	7.1	12	16	775	5	24	M24	(1")	27	-	-
800	812.8-)	975	24	-	-	920	70	842	7.1	12	16	880	5	24	M27	(1")	30	-	-
900	914.4-)	1075	26	-	-	1020	70	942	7.1	12	16	980	5	24	M27	(1")	30	-	-
1000	1016-)	1175	26	-	-	1120	70	1045	7.1	16	16	1080	5	28	M27		30	-	-

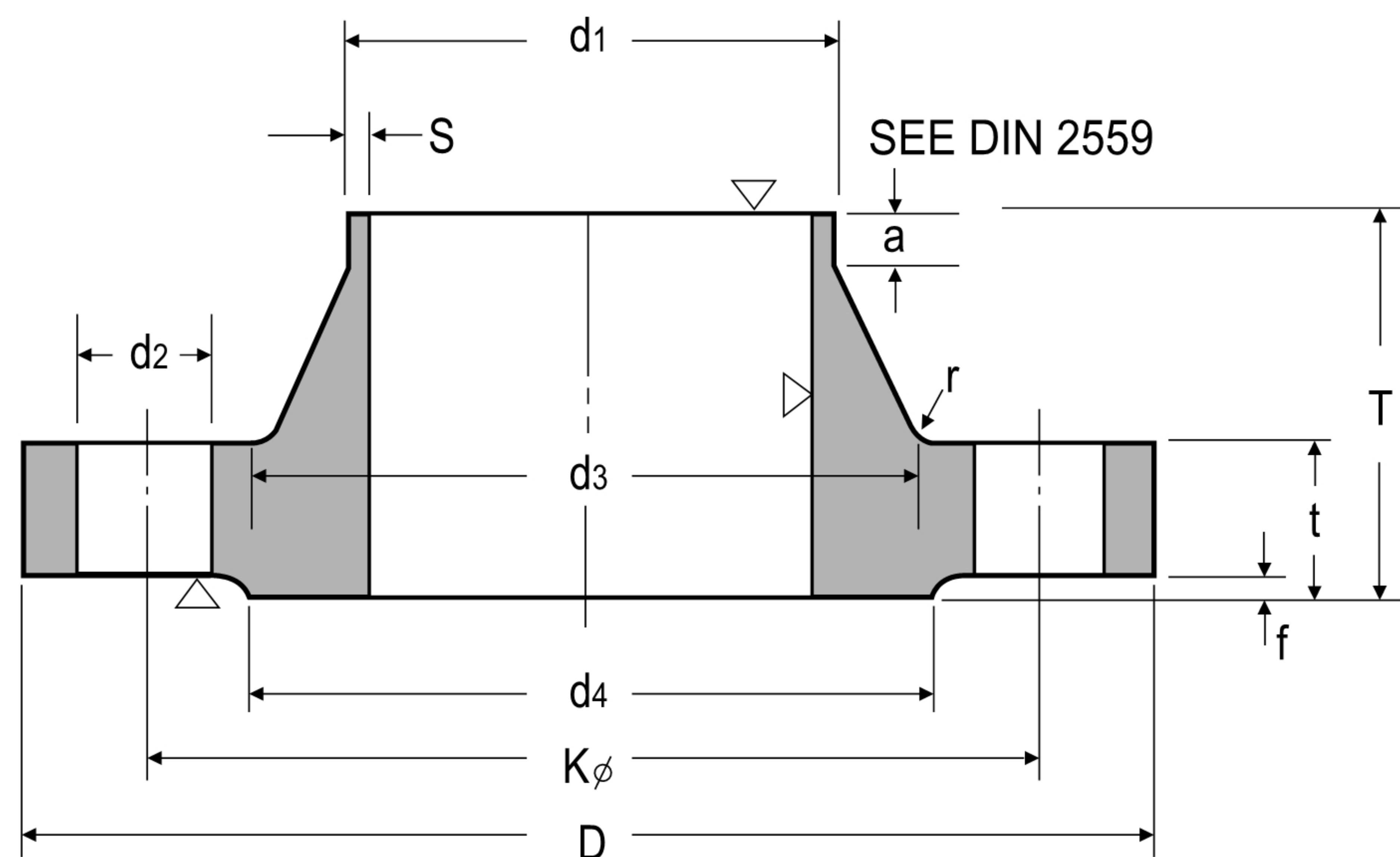
Notes : Out side diameter of pipe complies with ISO recommendation R64

10 BAR

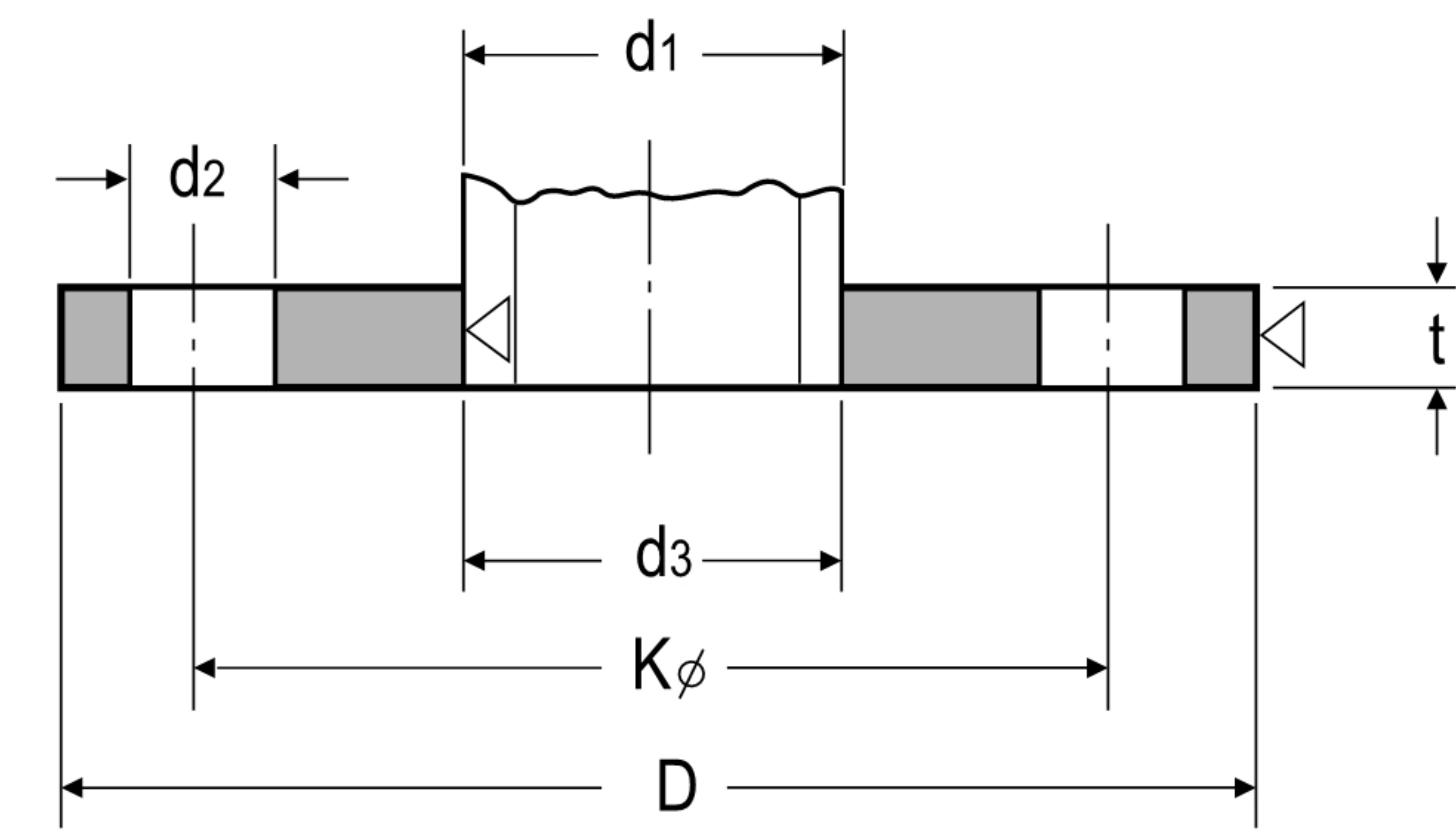
DIN 2576 SLIP - ON FLANGES

DIN 2527 BLIND FLANGES

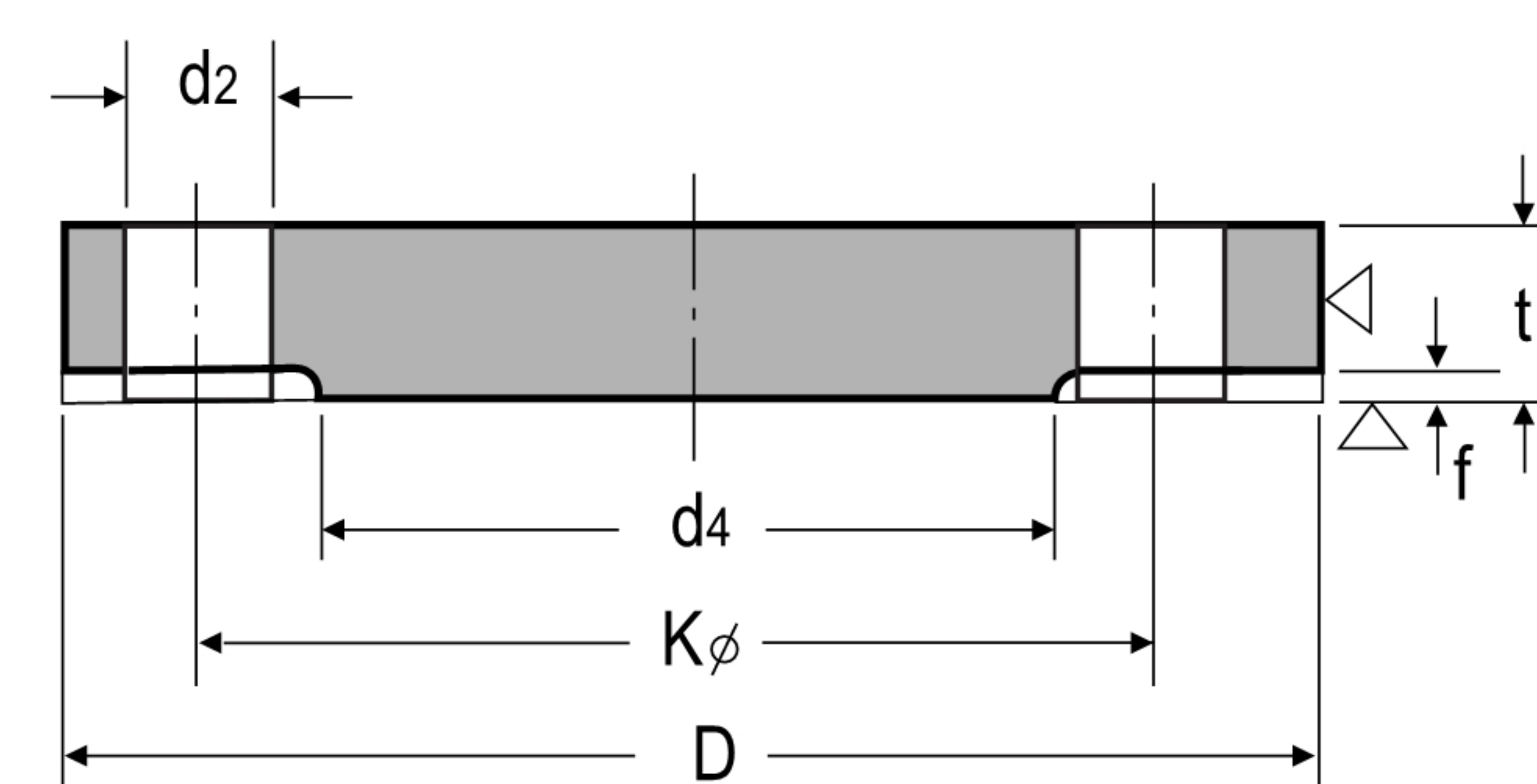
DIN 2632 WELDING NECK FLANGES



WELDING NECK



SLIP-ON



BLIND

Unit:mm

Nominal Bore	Bore		Common Dimension				Hub				Raised Face		Drilling			Approx.Weight(kg)			
	d1	D	t			K	T	d3	s	r	a ≈	d4	f	Number of Bolt	Dia. of Bolt	d2	DIN 2632	DIN 2576	
			Welding Neck	Slip-on	Blind														
10	14	90	14	14	14	60	35	25	1.8	4	6	40	2	4	M12	[1/2"]	14	0.163	0.580
15	17.2	95	14	14	14	65	35	28	2.0	4	6	45	2	4	M12	[1/2"]	14	0.675	0.648
20	21.3	105	16	16	16	75	38	30	2.3	4	6	58	2	4	M12	[1/2"]	14	0.947	0.952
25	25	115	16	16	16	85	38	32	2.6	4	6	68	2	4	M12	[1/2"]	14	1.14	1.14
32	26.9	140	16	16	16	100	40	38	2.6	6	6	78	2	4	M16	[5/8"]	18	1.66	1.69
40	30	150	16	16	16	110	42	40	2.6	6	7	88	3	4	M16	[5/8"]	18	1.89	1.86
50	33.7	165	18	18	18	125	45	45	2.9	6	8	102	3	4	M16	[5/8"]	18	2.51	2.53
65	38	185	18	18	18	145	45	52	2.9	6	10	122	3	4	M16	[5/8"]	18	3.00	3.06
80	42.4	200	20	20	20	160	50	60	3.2	8	10	138	3	4	M16	[5/8"]	18	3.79	3.70
100	44.5	220	20	20	20	180	52	72	3.6	8	12	158	3	8	M16	[5/8"]	18	4.20	4.62
125	48.3	250	22	22	22	210	55	75	4.0	8	12	188	3	8	M16	[5/8"]	18	5.71	6.30
150	57	285	22	22	22	240	55	125	4.5	10	12	212	3	8	M20	[3/4"]	23	6.72	7.75
200	60.3	340	24	24	24	295	62	131	5.9	10	16	268	3	8	M20	[3/4"]	23	9.50	11.3
250	66.1	395	26	26	26	350	68	135	6.3	12	16	320	3	12	M20	[3/4"]	23	12.5	14.7
300	76.1	445	26	26	28	400	68	150	7.1	12	16	370	4	12	M20	[3/4"]	23	14.4	17.6
350	88.9	505	26	28	30	460	68	156	7.1	12	16	430	4	16	M20	[3/4"]	23	20.6	21.4
400	99.7	565	26	32	32	515	72	175	7.1	12	16	482	4	16	M24	[7/8"]	27	27.9	26.1
500	114.3	670	28	38	34	620	75	184	7.1	12	16	585	4	20	M24	[7/8"]	27	41.1	34.7
600	127	780	28	-	-	725	80	232	7.1	12	18	685	5	20	M27	[1"]	30	-	-
700	141.3	895	30	-	-	840	80	235	8.0	12	18	800	5	24	M27	[1"]	30	-	-
800	152.4	1015	32	-	-	950	90	285	8.0	12	18	905	5	24	M30	[1 1/8"]	33	-	-
900	165.1	1115	34	-	-	1050	95	292	10.0	12	20	1005	5	28	M30	[1 1/8"]	33	-	-
1000	177.8	1230	34	-	-	1160	95	335	10.0	16	20	1110	5	28	M33	[1 1/8"]	36	-	-

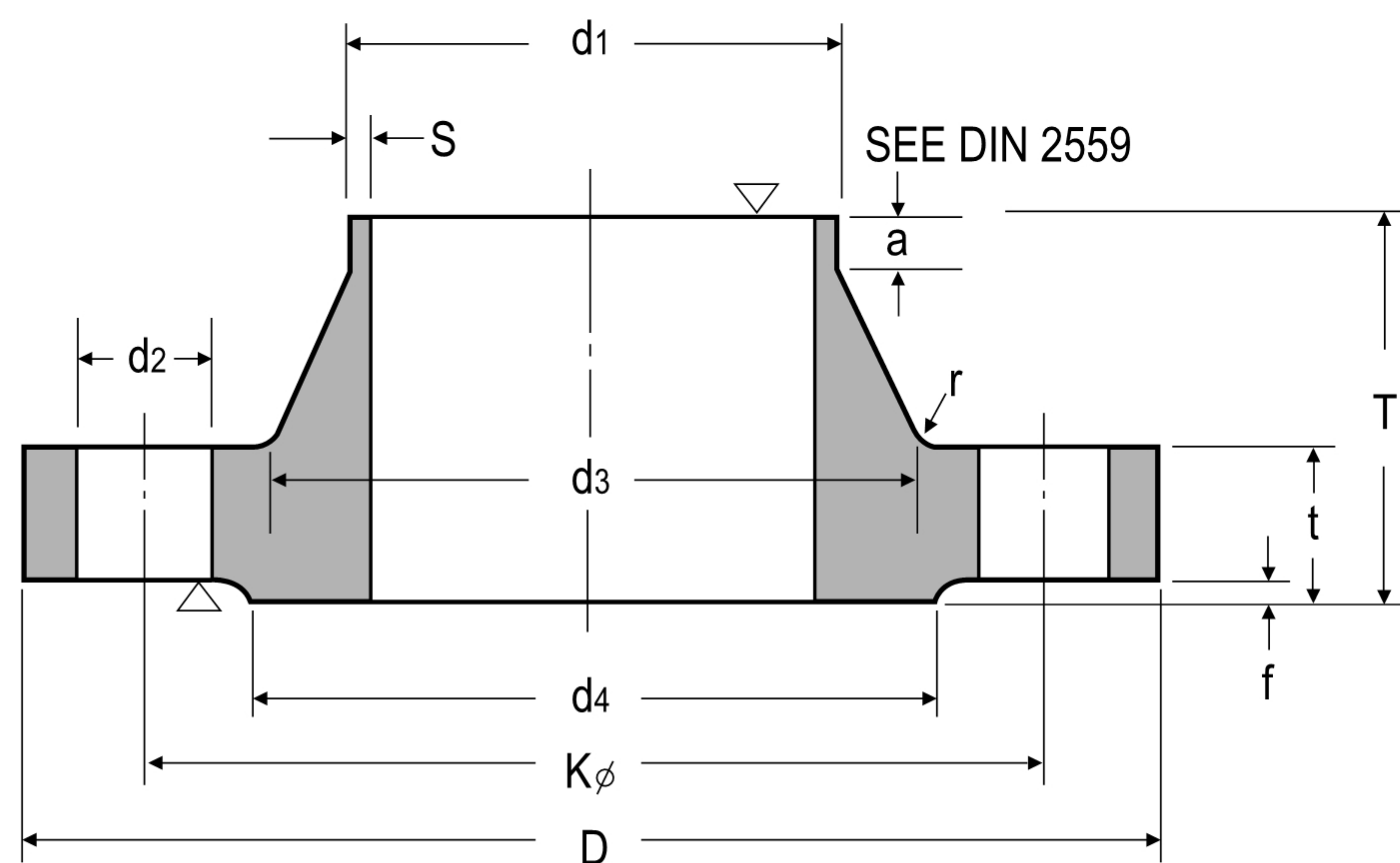
Notes : Out side diameter of pipe complies with ISO recommendation R64

16 BAR

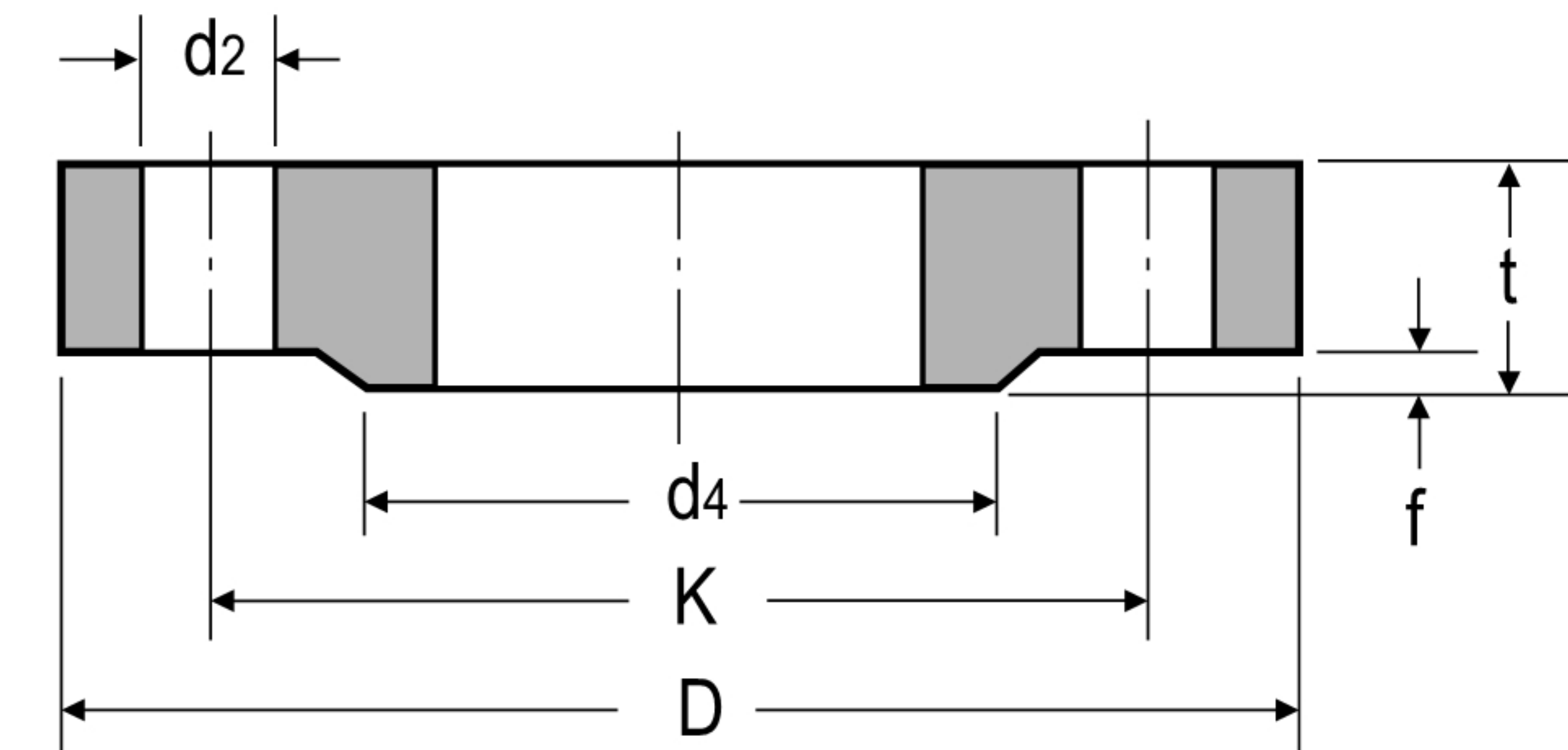
DIN 2543 SLIP - ON FLANGES

DIN 2527 BLIND FLANGES

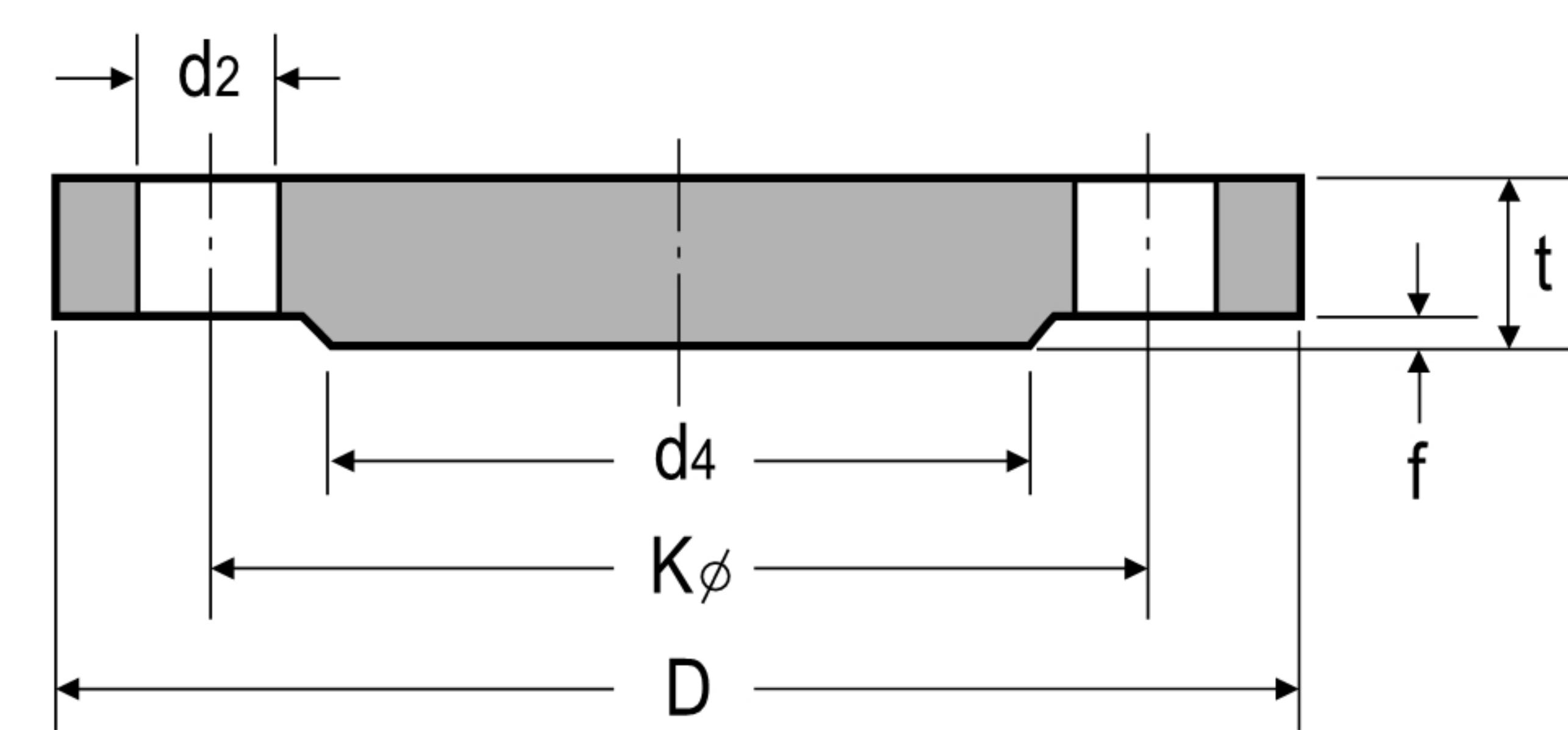
DIN 2633 WELDING NECK FLANGES



WELDING NECK



SLIP-ON



BLIND

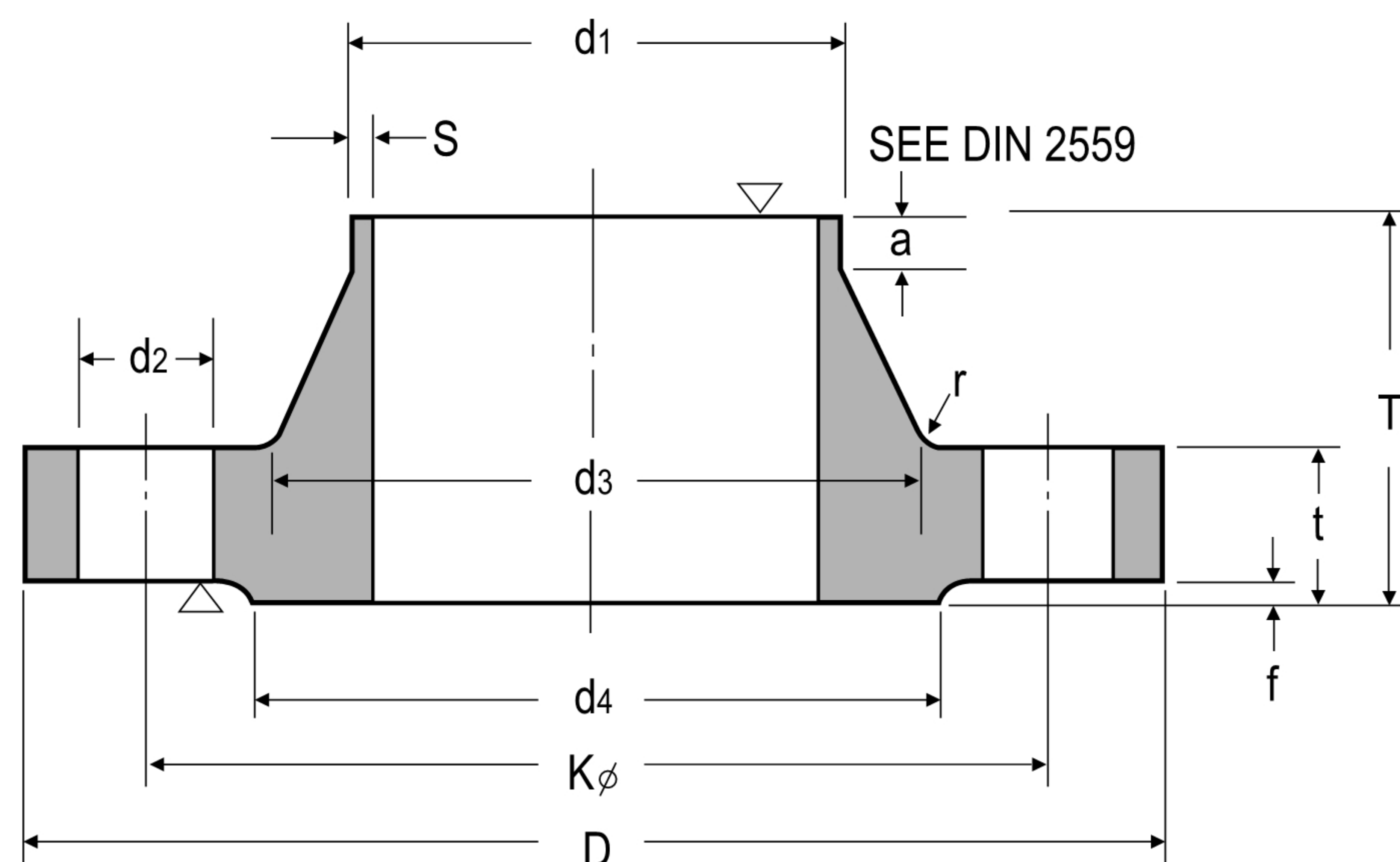
Unit:mm

Nominal Bore	Bore		Common Dimension			Hub				Raised Face		Drilling			Approx.Weight(kg)				
	d1	D	t	K	T	d3	s	r	a ≈	d4	f	Number of Bolt	Dia. of Bolt	d2	DIN 2633	DIN 2543			
			Welding Neck	Slip-on (no-hub)	Blind														
10	14 17.2 [·]	90	14	14	14	60	35	25 28	1.8	4	6	40	2	4	M12	[1/2"]	14	0.63	0.580
15	20 21.3 [·]	95	14	14	14	65	35	30 32	2.0	4	6	45	2	4	M12	[1/2"]	14	0.72	0.648
20	25 26.9 [·]	105	16	16	16	75	38	38 40	2.3	4	6	58	2	4	M12	[1/2"]	14	1.01	0.952
25	30 33.7 [·]	115	16	16	16	85	38	42 45	2.6	4	6	68	2	4	M12	[1/2"]	14	1.23	1.14
32	38 42.4 [·]	140	16	16	16	100	40	52 56	2.6	6	6	78	2	4	M16	[5/8"]	18	1.80	1.69
40	44.5 48.3 [·]	150	16	16	16	110	42	60 64	2.6	6	7	88	3	4	M16	[5/8"]	18	2.09	1.86
50	57 60.3 [·]	165	18	18	18	125	45	72 75	2.9	6	8	102	3	4	M16	[5/8"]	18	2.88	2.53
65	76.1 [·]	185	18	18	18	145	45	90	2.9	6	10	122	3	4	M16	[5/8"]	18	3.66	3.06
80	88.9 [·]	200	20	20	20	160	50	105	2.2	8	10	138	3	8	M16	[5/8"]	18	4.77	3.70
100	108 114.3 [·]	220	20	20	20	180	52	125 131	3.6	8	12	158	3	8	M16	[5/8"]	18	5.65	4.62
125	133 139.7 [·]	250	22	22	22	210	55	150 156	4.0	8	12	188	3	8	M16	[5/8"]	18	8.42	6.30
150	159 168.3 [·]	285	22	22	22	240	55	175 184	4.5	10	12	212	3	8	M20	[3/4"]	23	10.4	7.75
200	216 219.1 [·]	340	24	24	24	295	62	232 235	5.9	10	16	268	3	12	M20	[3/4"]	23	16.1	11.0
250	267 273 [·]	405	26	26	26	355	70	285 292	6.3	12	16	320	3	12	M24	[7/8"]	27	24.9	15.6
300	318	460	28	28	28	410	78	338 344	7.1	12	16	378	4	12	M24	[7/8"]	27	35.1	22.0
350	355.6 [·] 368	520	30	30	30	470	82	390	8.0	12	16	438	4	16	M24	[7/8"]	27	47.8	28.7
400	406.4 [·] 419	580	32	32	32	525	85	445	8.0	12	16	490	4	16	M27	[1"]	30	63.5	36.3
500	508 [·] 521	715	34	36	34	650	90	548	8.0	12	16	610	4	20	M30	[1 1/8"]	33	102.0	59.3
600	609.6 [·] 622	840	36	40	-	770	95	652	8.8	12	18	725	5	20	M33	[1 1/4"]	36	-	-
700	711.2 [·] 720	910	36	-	-	840	100	755	8.8	12	18	795	5	24	M33	[1 1/4"]	36	-	-
800	812.8 [·] 820	1025	38	-	-	950	105	855	10.0	12	20	900	5	24	M36	[1 3/8"]	39	-	-
900	914.4 [·] 920	1125	40	-	-	1050	110	955	10.0	12	20	1000	5	28	M36	[1 3/8"]	39	-	-
1000	1016 [·] 1020	1255	42	-	-	1170	120	1058	10.0	16	20	1115	5	28	M39	[1 1/2"]	42	-	-

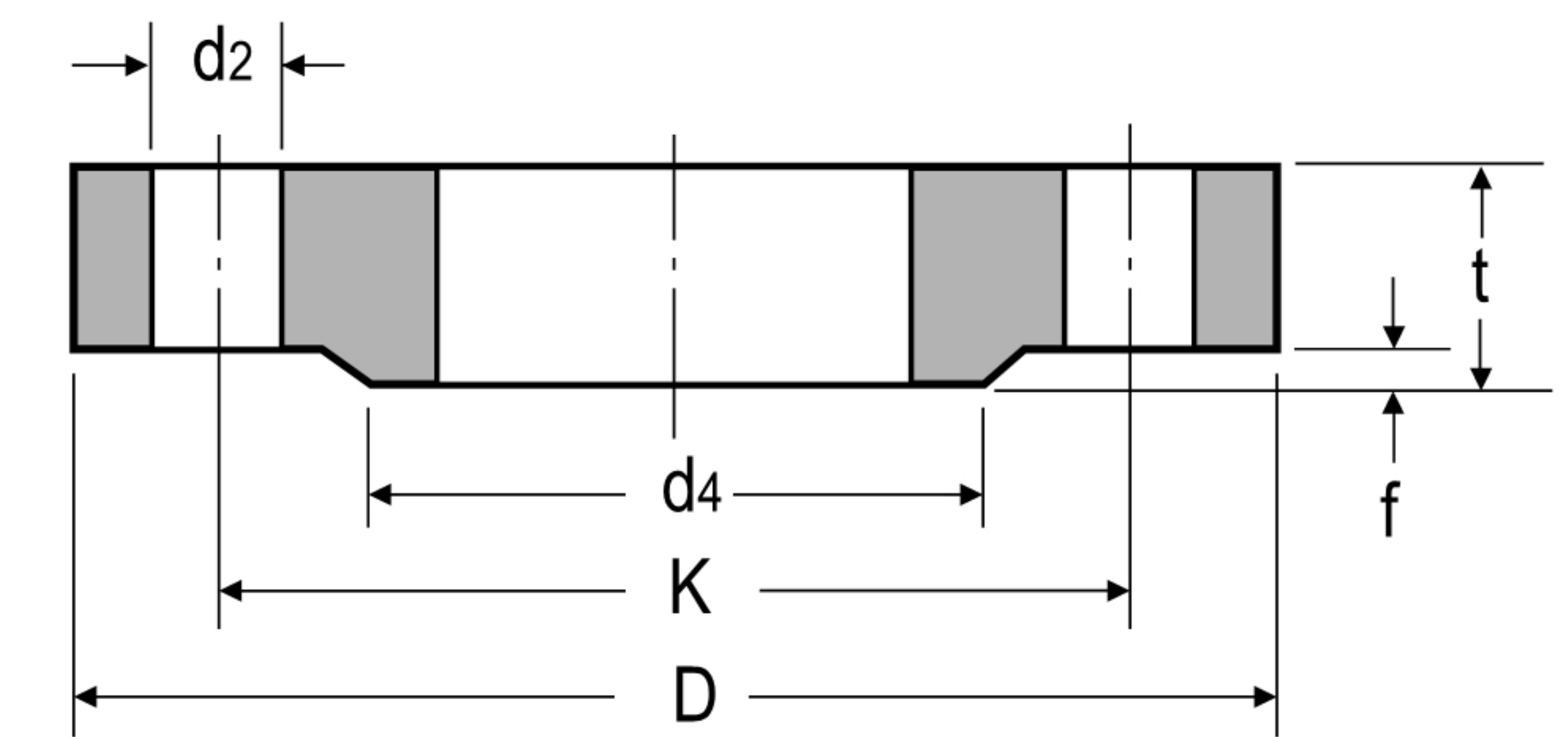
Notes : Out side diameter of pipe complies with ISO recommendation R64

25 BAR

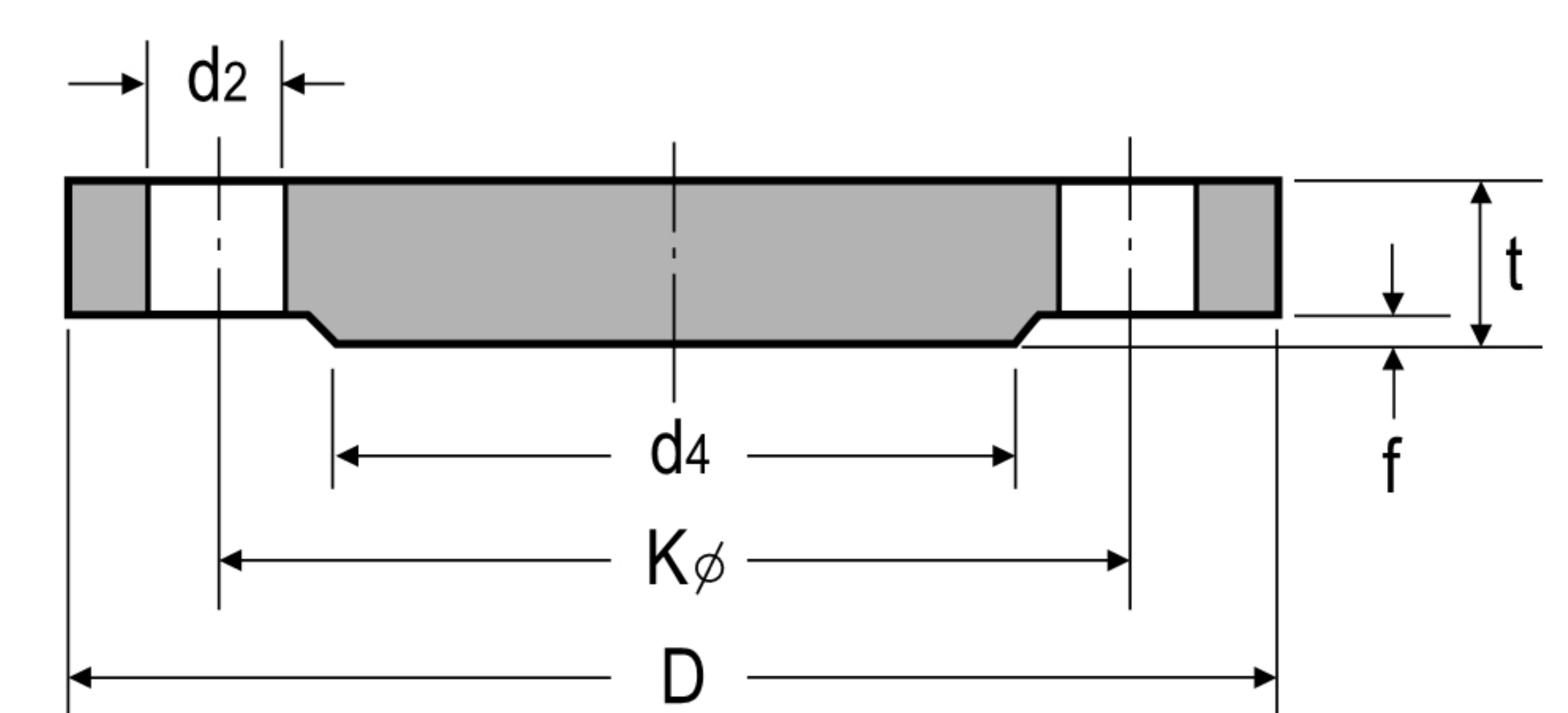
- DIN 2544 SLIP - ON FLANGES
- DIN 2527 BLIND FLANGES
- DIN 2634 WELDING NECK FLANGES



WELDING NECK



SLIP-ON



BLIND

Unit:mm

Nominal Bore	Bore		Common Dimension					Hub				Raised Face		Drilling			Approx.Weight(kg)		
	d1	D	t			K	T	d3	s	r	a ≈	d4	f	Nominal of Bolt	Dia. of Bolt	d2	DIN 2632	DIN 2576	
			Welding Neck	Slip-on	Blind														
10	14 17.2-)	90	16	16	16	60	35	25 28	1.8	4	6	40	2	4	M12	(1/2")	14	0.72	0.6610
15	20 21.3-)	95	16	16	16	65	38	30 32	2.0	4	6	45	2	4	M12	(1/2")	14	0.81	.746
20	25 26.9-)	105	18	18	18	75	40	36 40	2.3	4	6	58	2	4	M12	(1/2")	14	1.24	1.06
25	30 33.7-)	115	18	18	18	85	40	42 46	2.6	4	6	68	2	4	M12	(1/2")	14	1.38	1.29
32	38 42.4-)	140	18	18	18	100	42	52 56	2.6	6	6	78	2	4	M16	(5/8")	18	2.03	1.88
40	44.5 48.3-)	150	18	18	18	110	45	60 64	2.6	6	7	88	3	4	M16	(5/8")	18	2.35	2.34
50	57 60.3-)	165	20	20	20	125	48	72 75	2.9	6	8	102	3	4	M16	(5/8")	18	3.20	2.82
65	76.1-)	185	22	22	22	145	52	90	2.9	6	10	122	3	8	M16	(5/8")	18	4.29	3.74
80	88.9-)	200	24	24	24	160	58	105	3.2	8	12	138	3	8	M16	(5/8")	18	5.88	4.75
100	108 114.3-)	235	24	24	24	190	65	128 134	3.6	8	12	162	3	8	M20	(3/4")	23	7.54	6.52
125	133 139.7-)	270	26	26	26	220	68	155 162	4.0	8	12	188	3	8	M24	(7/8")	27	10.8	9.07
150	159 168.3-)	300	28	28	28	250	75	182 192	4.5	10	12	218	3	8	M24	(7/8")	27	14.5	11.8
200	216 219.1-)	360	30	30	30	310	80	240 244	6.3	10	16	278	3	12	M24	(7/8")	27	22.3	17.0
250	267 273-)	425	32	32	32	370	88	292 298	7.1	12	18	335	3	12	M27	(1")	30	33.5	24.4
300	318	485	34	34	34	430	92	345 352	8.0	12	18	395	4	16	M27	(1")	30	46.3	31.2
350	355.6-)	555	38	38	38	490	100	398	8.0	12	20	450	4	16	M30	(1 1/4")	33	68.0	45.0
400	406.4-)	620	40	40	40	550	110	452	8.8	12	20	505	4	16	M33	(1 1/4")	36	89.7	58.7
500	508-)	730	44	44	44	660	125	558	10.0	12	20	615	4	20	M33	(1 1/4")	36	138.0	86.1
600	609.6-)	845	46	-	-	770	125	660	11.0	12	20	720	5	20	M36	(1 3/8")	39	-	101.0
700	711.2-)	960	46	-	-	875	125	760	12.5	12	20	820	5	24	M39	(1 1/2")	42	-	134.0
800	812.8-)	1085	50	-	-	990	135	865	14.2	12	22	930	5	24	M45	(1 3/4")	48	-	183.0
900	914.4-)	1185	54	-	-	1090	145	968	16.0	12	24	1030	5	28	M45	(1 3/4")	48	-	232.0
1000	1016-)	1320	58	-	-	1210	155	1070	17.5	16	24	1140	5	28	M52	(2")	56	-	302.0

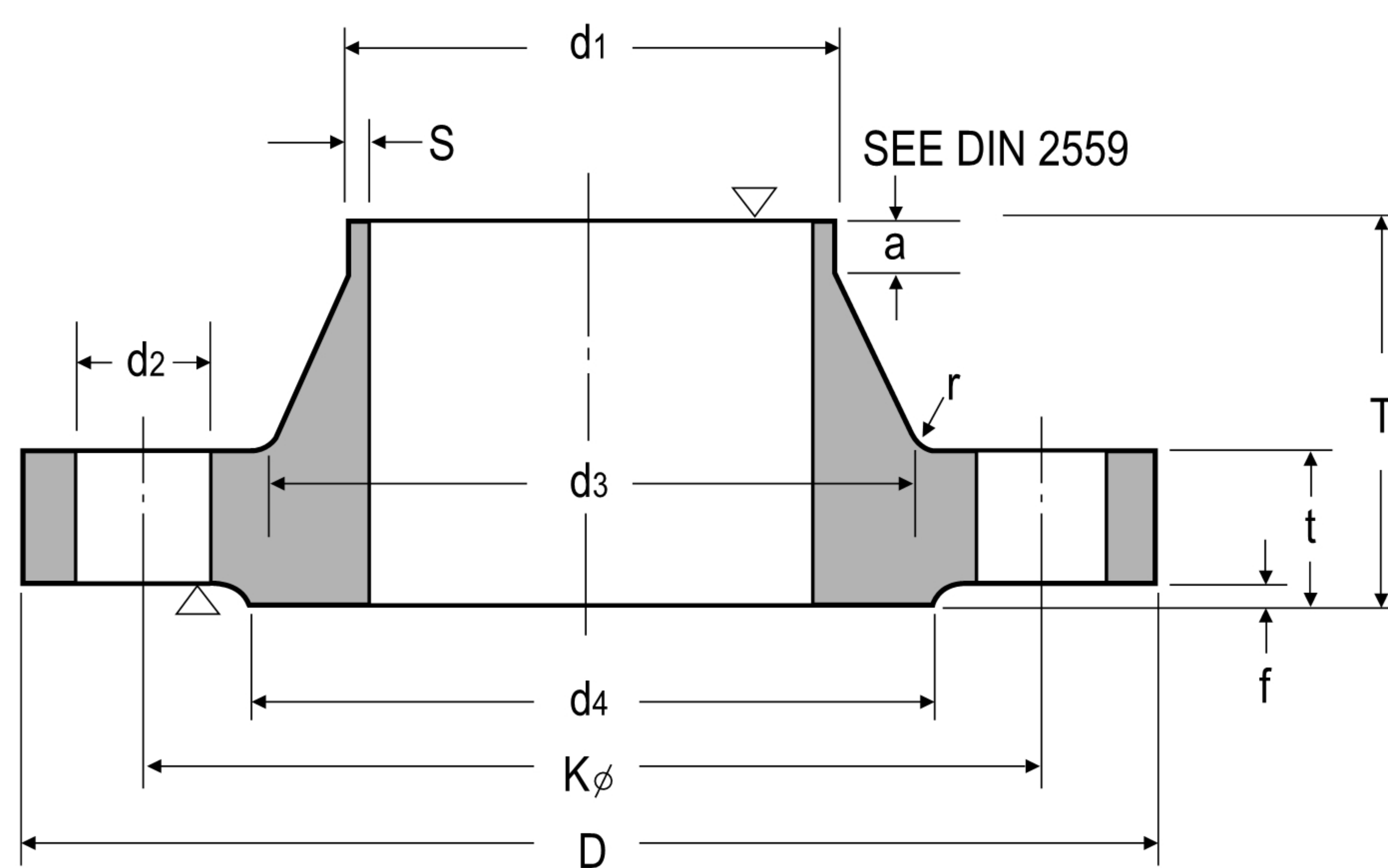
Notes : Out side diameter of pipe complies with ISO recommendation R64

40 BAR

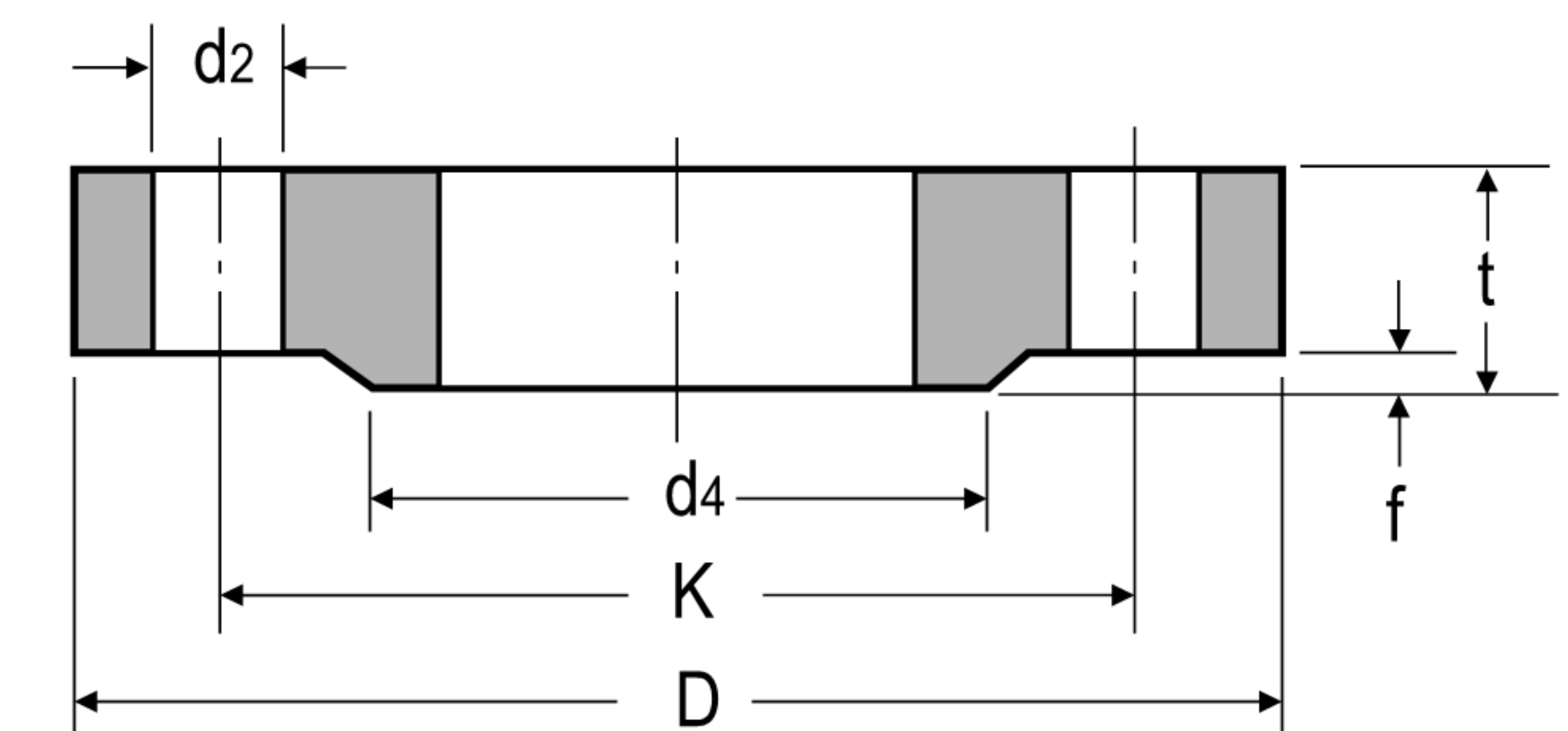
DIN 2545 SLIP - ON FLANGES

DIN 2527 BLIND FLANGES

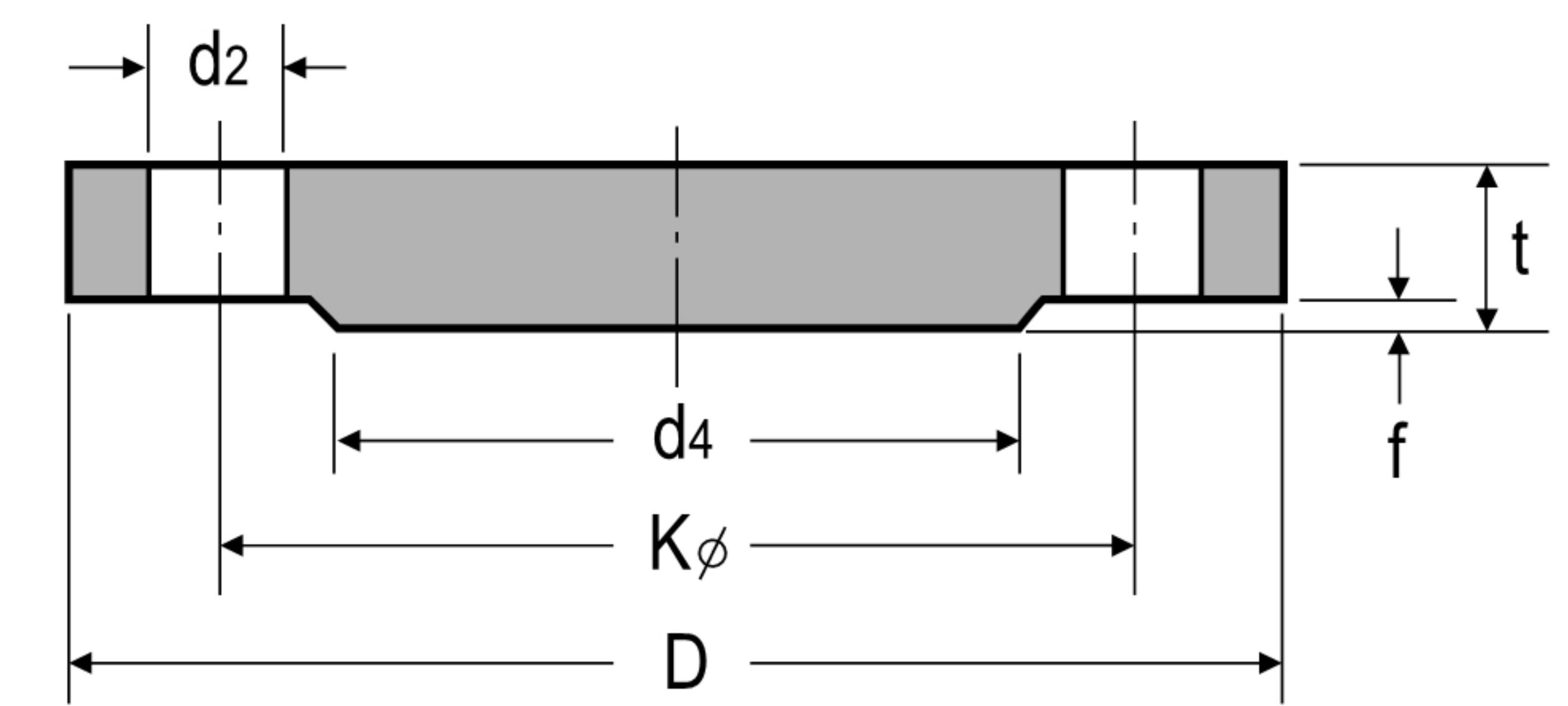
DIN 2635 WELDING NECK FLANGES



WELDING NECK



SLIP-ON



BLIND

Unit:mm

Nominal Bore	Bore		Common Dimension			Hub				Raised Face		Drilling			Approx.Weight(kg)				
	d1	D	t			K	T	d3	s	r	a ≈	d4	f	Number of Bolt	Dia. of Bolt	d2	DIN 2545	DIN 2635	
			Welding Neck	Slip-on (no-hub)	Blind														
10	14 17.2"	90	16	16	16	60	35	25 28	1.8	4	6	40	2	4	M12	(1/2")	14	0.72	0.661
15	20 21.3"	95	16	16	16	65	38	30 32	2.0	4	6	45	2	4	M12	(1/2")	14	0.81	0.746
20	25 26.9"	105	18	18	18	75	40	38 40	2.3	4	6	58	2	4	M12	(1/2")	14	1.24	1.06
25	30 33.7"	115	18	18	18	85	40	42 46	2.6	4	6	68	2	4	M12	(1/2")	14	1.38	1.29
32	38 42.4"	140	18	18	18	100	42	52 56	2.6	6	6	78	2	4	M16	(5/8")	18	2.03	1.88
40	44.5 48.3"	150	18	18	18	110	45	60 64	2.6	6	7	88	3	4	M16	(5/8")	18	2.35	2.33
50	57 60.3"	165	20	20	20	125	48	72 75	2.9	6	8	102	3	4	M16	(5/8")	18	3.20	2.82
65	76.1"	185	22	22	22	145	52	90	2.9	6	10	122	3	8	M16	(5/8")	18	4.29	3.74
80	88.9"	200	24	24	24	160	58	105	3.2	8	12	138	3	8	M16	(5/8")	18	5.88	4.75
100	108 114.3"	235	24	24	24	190	65	128 134	3.6	8	12	162	3	8	M20	(3/4")	23	7.54	6.52
125	133 139.7"	270	26	26	26	220	68	155 162	4.0	8	12	188	3	8	M24	(7/8")	27	10.8	9.07
150	159 168.3"	300	28	28	28	250	75	182 192	4.5	10	12	218	3	8	M24	(7/8")	27	14.5	11.80
(175)	(191) 193.7"	350	32	32	32	295	82	215 218	5.6	10	15	260	3	12	M27	(1")	30	22.1	18.2
200	216 219.1"	375	34	34	34	320	88	240 244	6.3	10	16	285	3	12	M27	(1")	30	27.2	21.5
250	267 273"	450	38	38	38	385	105	298 306	7.1	12	18	345	3	12	M30	(1 1/8")	33	43.8	34.9
300	318 323.9"	515	42	42	42	450	115	352 362	8.0	12	18	410	4	16	M30	(1 1/8")	33	63.3	49.7
350	355.6"	580	46	46	46	510	125	408	8.8	12	20	465	4	16	M33	(1 1/4")	36	89.5	68.1
400	406.4"	660	50	50	50	585	135	462	11.0	12	20	535	4	16	M36	(1 3/8")	39	127.0	96.5
500	508"	755	52	52	52	670	140	562	14.2	12	20	615	4	20	M39	(1 1/2")	42	172.0	117.0

Notes : Out side diameter of pipe complies with ISO recommendation R64