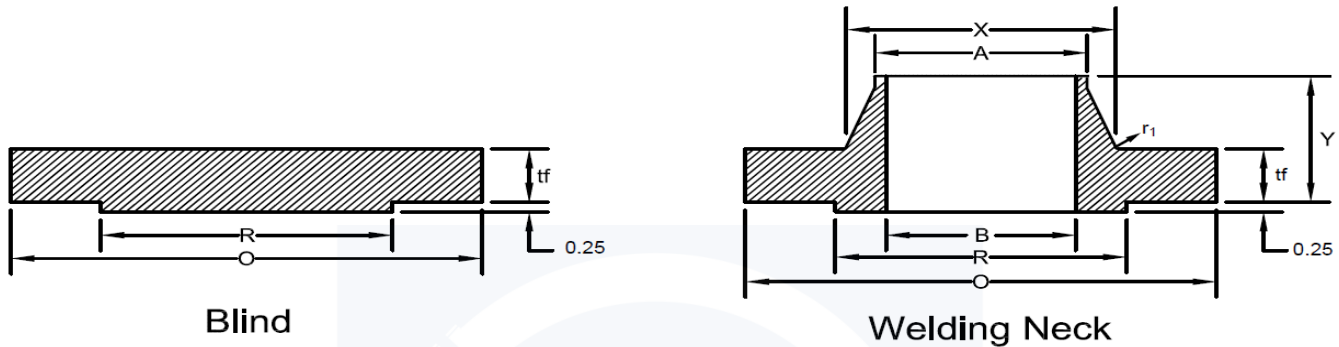


SERIES A CLASS 900 FLANGE

ASME B16.47-2017



Minimum Thickness													Bolt	
Nominal Pipe Size	Outside Diameter <i>O</i>	Welding Neck <i>t_f</i>	Blind <i>t_f</i>	Length Through Hub <i>Y</i>	Diameter of Hub <i>X</i>	Diameter of Hub Top <i>A</i>	Diameter of Raised Face <i>R</i>	Minimum Fillet Radius <i>r_f</i>	Bore <i>B</i>	Diameter of Bolt Circle	Number of Holes	Diameter of Holes		
26	42.75	5.50	6.31	11.25	30.50	26.00	29.50	0.44	Note-1	37.50	20	2.88		
28	46.00	5.62	6.75	11.75	32.75	28.00	31.50	0.50	Note-1	40.25	20	3.13		
30	48.50	5.88	7.18	12.25	35.00	30.00	33.75	0.50	Note-1	42.75	20	3.13		
32	51.75	6.25	7.62	13.00	37.25	32.00	36.00	0.50	Note-1	45.50	20	3.38		
34	55.00	6.50	8.06	13.75	39.62	34.00	38.00	0.56	Note-1	48.25	20	3.63		
36	57.50	6.75	8.44	14.25	41.88	36.00	40.25	0.56	Note-1	50.75	20	3.63		
38	57.50	7.50	8.50	13.88	42.25	38.00	43.25	0.75	Note-1	50.75	20	3.63		
40	59.50	7.75	8.81	14.31	44.38	40.00	45.75	0.81	Note-1	52.75	24	3.63		
42	61.50	8.12	9.12	14.62	46.31	42.00	47.75	0.81	Note-1	54.75	24	3.63		
44	64.88	8.44	9.56	15.38	48.62	44.00	50.00	0.88	Note-1	57.62	24	3.88		
46	68.25	8.88	10.06	16.18	50.88	46.00	52.50	0.88	Note-1	60.50	24	4.13		
48	70.25	9.19	10.38	16.50	52.88	48.00	54.50	0.94	Note-1	62.50	24	4.13		
50	-	-	-	-	-	-	-	-	-	-	-	-		
52	-	-	-	-	-	-	-	-	-	-	-	-		
54	-	-	-	-	-	-	-	-	-	-	-	-		
56	-	-	-	-	-	-	-	-	-	-	-	-		
58	-	-	-	-	-	-	-	-	-	-	-	-		
60	-	-	-	-	-	-	-	-	-	-	-	-		

Notes:
 (1) To be specified by the Customer.
 (2) When these flanges are required with flat face, the flat face may be either the full *t_f* dimension thickness plus 0.25 in. or the *t_f* dimension thickness without the raised face height.